

A New Method for SLM-Based OFDM Systems without Side Information

Saber Meymanatabadi
 Faculty of Electrical and Computer Engineering
 Tabriz University
 Tabriz, Iran
 smeymanat@tabrizu.ac.ir

Javad Musevi Niya
 Faculty of Electrical and Computer Engineering
 Tabriz University
 Tabriz, Iran
 niya@tabrizu.ac.ir

Received: October 30, 2014-Accepted: February 7, 2015

Abstract—One of the most well-known techniques to reduce the problem of PAPR in orthogonal frequency division multiplexing (OFDM) systems is selected mapping (SLM). The chief drawback of this method is transmission of several additional bits, side information (SI), for each data block. Such side information causes bandwidth efficiency to be decreased; in addition, incorrect detection of SI in the receiver side make whole data block be lost. In this paper, we propose a technique by which side information bits are not explicitly sent. We exhibit the example of our method for an OFDM system by using 16-QAM modulation. It is shown that our proposed scheme, from the view point of bit error rate, probability of detection failure and PAPR reduction, performs very well.

Keywords- Orthogonal frequency division multiplexing (OFDM); peak-to-average power ratio (PAPR); selected mapping (SLM); side information

I. INTRODUCTION

Orthogonal frequency division multiplexing (OFDM) is one of the most popular access methods for many wireless digital communications. It can adapt high data rate links [1-4] over harsh multipath fading. On the other hand, the time-domain OFDM signal presents a large peak-to-average power ratio (PAPR) at the transmitter's output which is one of the challenging issues in this system. High PAPR takes out the power amplifier from linear region and reduces the average power of the amplifier output at the transmitter side [5-7]. In addition, It causes nonlinear distortion and imposes alteration in the signal constellation. To decrease the PAPR, plenty of methods have been suggested [8-14], one of the most well-known of which is Selected mapping (SLM) method. Because it is able to achieve better PAPR without distortion. In SLM, the transmitter generates

multiple signals which all represent alike information through multiplying the input data by predetermined phase sequences [15]. Afterwards, the signal with the

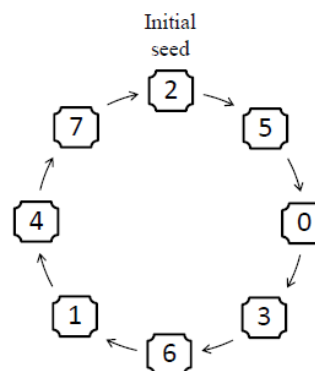


Fig. 1. Random number cycle for QCG(4,5,3,8).

lowest PAPR is chosen for sending. In this method, it is required to be sent the selected phase sequence index, named side information (SI), by transmitter to express which candidate is selected and recovering of data block becomes possible by receiver. The transmitted SI bits cause bandwidth efficiency to be decreased; besides, when SI is incorrectly detected by receiver, all received frame will be lost. Hence, using of channel coding is needful which results in system complication and sacrifices data rate. However, for eliminating the explicit transmission of side information some methods have been introduced [16-21]. In [21], channel estimation and PAPR reduction are combined in which channel estimation is performed by selecting the place of pilot tone employed inside each data block, and then power distinction between data symbols and the pilot tone is used in order to recover the SI in the receiver side. In this paper, we leave out the pilot tones and replace them with symbols existing inside the data block. We propose a new SLM scheme in which Quadratic Congruential Generators (QCG) is used and enables receiver to recover data without explicit SI bits. The basic idea in our proposed technique is to fit the side information into transmitted symbols based on which some special locations in the transmitted data block are expanded, i.e. some transmitted symbols are extended. At the receiver side, it is tried to discover the places of the expanded symbols to recover SI index. Because, in our scheme, discovering the locations of expanded symbols corresponds to finding the SI index.

The remainder of this paper is organized as follows: In Section II, the Quadratic Congruential Generators (QCG) is introduced. In Section III, we describe the transmitter of proposed SLM. Design of receiver in the proposed scheme is introduced in section IV. Following that, Section V is devoted to performance evaluation of our proposed method. Eventually, the paper is concluded in Section VI.

II. REVIEW OF QUADRATIC CONGRUENTIAL GENERATOR (QCG)

Quadratic Congruential Generator (QCG) is a method of generating pseudo-random numbers. In QCG, the next value is computed repetitively from the

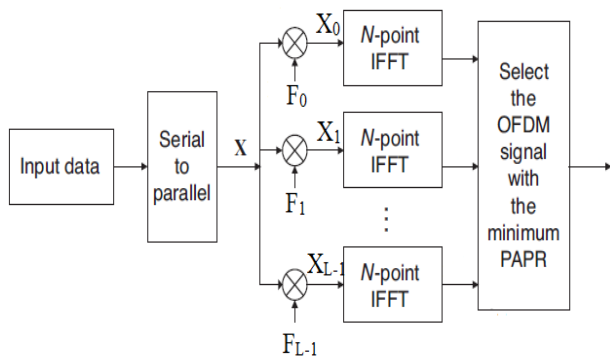


Fig. 2. Block diagram of SLM technique for PAPR reduction.

prior value based on a recurrence relation of the form (1) [22]:

$$Y_i = (a * Y_{i-1}^2 + b * Y_{i-1} + c) \text{ mod } m \quad (1)$$

where a, b, c and m are named QCG parameters shown as $QCG(a,b,c,m)$. Let $Z_m = \{0,1,\dots,m-1\}$. The modulus m is a positive number ($m > 0$) and $a,b,c \in Z_m$. In this generator, $Y_0 \in Z_m$ is the seed and Y_i is the sequence of pseudo random numbers. However, in order to produce Y_i with full period it is needed to employ well-chosen QCG parameters in recurrence relation (1). In QCG, the maximum period is equal to m and the full period for all seed values is gained if and only if:

- 1) m is a power of 2.
- 2) The value of a is an even number and the value of c is an odd number.
- 3) $(b-a) \text{ mod } 4 = 1$.

We explain this matter by an example. By considering $a = 4, b = 5, c = 3$ and $m = 8$ it is clear that chosen parameters satisfy full period conditions. According to relation (1) and by using the supposed seed $Y_0 = 2$ the sequence of integers produced by this algorithm is:

2 5 0 3 6 1 4 7 2 5 0 3 6 1 4 7 2 5 0 ...

In Fig. 1, the random number cycle for $QCG(4,5,3,8)$ has been shown. As it is seen, the period of produced sequence is exactly equal to modulus $m=8$. By choosing any seed from the interval $[0 \ 7]$ ($Y_0 \in Z_8$), abovementioned sequence will be just cyclically shifted. Hence, we can consider any number on the Fig. 1 as the seed and by proceeding clockwise starting from supposed seed Y_0 the QCG sequence is produced.

Based on the above subjects, by considering QCG parameters satisfying full period we can indicate that:

The number of possible seeds $Y_0 = \text{Period of QCG sequence} = m \quad (2)$

Note 1: Hereafter, when QCG is used the purpose is QCG with full period.

Note 2: All over this paper, we use marking in the shape of $G^{(R)}$ to express a vector G is composed of R scalar quantities.

III. DESIGH OF TRANSMITTER IN THE PROPOSED SCHEME

Suppose an OFDM system with N subcarriers which N complex data symbols x_n are transmitted concurrently on subcarriers; in addition, a data block is represented in the form of $X^{(N)} = [x_0, x_1, \dots, x_{N-1}]$. In SLM, with the aim of generating a sum of various OFDM signals, the original data is multiplied by L predetermined phase vectors



$F_l^{(N)} = f_{l,n} = [f_{l,0}, f_{l,1}, \dots, f_{l,N-1}]$, $l \in \{0,1, \dots, L-1\}$ which F_l is composed of N complex numbers $f_{l,n}$ and $|f_{l,n}|=1$ where $|\cdot|$ denotes the absolute value operator. So, L various vectors $X_l^{(N)} = x_{l,n}$ are produced where $x_{l,n} = f_{l,n} \cdot x_n$. After passing through inverse discrete Fourier transform, the vector $X_l^{(N)}$ consisting of N symbols $x'_{l,q}$, $q \in \{0,1, \dots, N-1\}$ is produced where:

$$x'_{l,q} = \frac{1}{\sqrt{N}} \sum_{n=0}^{N-1} x_{l,n} e^{j2\pi nq/N} \quad (3)$$

Among the L vectors $X_l^{(N)}$, the one with the lowest PAPR is selected for sending. That is, the SLM vector generating the OFDM waveform with minimum PAPR is selected for sending. Fig. 2 depicts a block diagram of the SLM method. In order to discover the original data block X at receiver, the number of $\lfloor \log_2^L \rfloor$ SI bits must be sent by transmitter. The SI bits specify the special phase vector having minimized the PAPR among the L phase sequences.

In this paper, we propose a method based on the QCG algorithm. In our method, after generating the numbers producing by QCG algorithm each integer value is converted into the binary number having the number of $\gamma = \lfloor \log_2^{m-1} + 1 \rfloor$ bits, and then, all of the binary numbers are successively arranged. Hereafter, this corresponding binary sequences is named BIN_QCG(a,b,c,m). For example, in Fig. 3 the sequences of integers produced by QCG(4,5,3,8) for all possible seeds Y_0 have been shown. Selected parameters in Fig. 3 provide all conditions to gain the full period for any amount of Y_0 . Also, BIN_QCG(4,5,3,8) has been shown in Fig. 4. As it is obvious, each corresponding binary amount contains the number of $\lfloor \log_2^{8-1} + 1 \rfloor = 3$ bits. So, the BIN_QCG sequence includes $3 \cdot 8 = 24$ bits. One of the chief property of BIN_QCG(a,b,c,m) sequence is that in this sequence:

$$\begin{aligned} \text{The number of 1's} &= \text{The number of 0's} = \\ (m \cdot \gamma) / 2 &= \frac{m}{2} * \lfloor \log_2^{m-1} + 1 \rfloor \end{aligned} \quad (4)$$

In our scheme, the phase vectors $F_l^{(N)} = f_{l,n} = [f_{l,0}, f_{l,1}, \dots, f_{l,N-1}]$ are such that, for each $F_l^{(N)}$, the absolute value of some elements are set to a constant value $K > 1$, while the absolute value of the other elements are set to the unit. Note that the places whose absolute values are $K > 1$ are not identical in the phase vectors $F_l^{(N)}$. That is, no two separate vectors $F_l^{(N)}$ can be united with identical K places. These locations, in general, are locations of 1's in the BIN_QCG(a,b,c,m) sequences and are

represented by λ_l . For example, if a supposed phase vector $F_l^{(N)}$ is associated with $\lambda_l = \{3,6,7,9\}$, it indicates that for phase vector $F_l^{(N)}$ only the elements existing in locations $n=3,6,7$ and 9 have the absolute value equal to $K > 1$; in other words, λ_l shows the SI index. So, for a given phase vector $F_l^{(N)}$ there is one and only one associated λ_l and vice-versa. The phases of elements $f_{l,n}$, as in conventional SLM, are set to any random values. In the proposed scheme, for creating the set of phase vectors we act as follows:

Step 1: The absolute value of elements in phase vectors $F_l^{(N)}$ are set based on BIN_QCG(a,b,c,m) sequences. In other words, for supposed QCG parameters (a,b,c,m) and different seeds (Y_0) all of the possible BIN_QCG(a,b,c,m) sequences are produced each of which has the length of $m \cdot \gamma$. From abovementioned, it is concluded that in the proposed scheme:

$$\begin{aligned} \text{The number of phase vectors } F_l &= \\ \text{The number of initial seed } Y_0 &= m \quad (L=m) \end{aligned} \quad (5)$$

$$\begin{aligned} \text{Length of phase vectors } F_l &= \\ \text{The number of subcarriers} &= N \end{aligned} \quad (6)$$

Fig. 4 is an example of step 1.

Step 2: In each vector obtained from step 1, the ones and zeros are mapped to $K > 1$ and 1, respectively. For a supposed phase vector F_l , the absolute value of the elements which are set to the constant value $K > 1$ form a set λ_l . In fact, the set λ_l shows the side information that is not clearly sent because it is fit into the vector F_l . For example, in Fig. 5 the ones and zeros obtained from step 1 are mapped to $K > 1$ and 1, respectively and the phase vectors of length $8 \cdot 3 = 24$ for the OFDM system with $N=24$ subcarriers are generated. In Fig. 5, we show just the absolute value of the elements because the phases of the elements, like conventional SLM, are chosen randomly.

	QCG(4,5,3,8)							
$Y_0=0$	0	3	6	1	4	7	2	5
$Y_0=1$	1	4	7	2	5	0	3	6
$Y_0=2$	2	5	0	3	6	1	4	7
$Y_0=3$	3	6	1	4	7	2	5	0
$Y_0=4$	4	7	2	5	0	3	6	1
$Y_0=5$	5	0	3	6	1	4	7	2
$Y_0=6$	6	1	4	7	2	5	0	3
$Y_0=7$	7	2	5	0	3	6	1	4

Fig. 3. Sequences of integers produced by QCG(4,5,3,8). Parameters having been chosen provide all conditions to gain the full period for any amount of Y_0 . The period of produced sequences is exactly equal to modulus $m=8$. As it is seen, by changing amount of Y_0 the generated sequences are just cyclically shifted.



In the proposed technique, for detecting the phase vectors at the receiver side, it is necessary that transmitter and receiver arrive at an agreement about the QCG parameters consisting of a, b, c and m values. We explain the detection algorithm in detail in Section IV. After making all of the phase vectors $F_l^{(N)}$, our proposed scheme performs like conventional SLM. That is, through an element-wise multiplication of the data block $X^{(N)}$ by each phase vector, the number of L vectors $X_l^{(N)} = x_{l,n}$ with $x_{l,n} = f_{l,n} \cdot x_n$ and also L corresponding $X_l^{(N)}$ are produced. Eventually, the vector having the lowest PAPR is selected for sending. All over this paper, this special vector is associated with the vectors $X_V^{(N)}$ and $F_V^{(N)}$ where

$$X_V^{(N)} = x_{V,n}, \quad F_V^{(N)} = f_{V,n}, \quad n = \{1, 2, \dots, N\} \quad (7)$$

In the proposed method, by multiplying the data block $X^{(N)}$ with the phase vectors $F_l^{(N)}$, the average energy for each transmitted symbol raises due to the fact that $|x_{l,n}| = |f_{l,n}| \cdot |x_n|$, with $|x_{l,n}|$ equal to $K > 1$ or 1 , argues that $E[|x_{l,n}|^2] > E[|x_n|^2]$, where $E[\cdot]$ is the expectation operator.

IV. DESIGN OF RECEIVER IN THE PROPOSED SCHEME

In this paper, we investigate our scheme on a flat Rayleigh fading channel. The frequency-domain of each symbol $x_{V,n}$ after passing the flat Rayleigh fading channel is correspondent to:

$$q_{V,n} = h_n \cdot x_{V,n} + n_n \quad n \in \{1, 2, \dots, N\} \quad (8)$$

where h_n is a real sample and indicates the fading affecting the n th subcarrier and n_n is a complex sample and exhibits complex Gaussian noise with zero mean and variance σ^2 . In our proposed technique, the receiver side knows that for each N -sample vector ($N = m \cdot \lfloor \log_2^{m-1} + 1 \rfloor = m \cdot \gamma$) inside the received data block, some symbols have been expanded by a factor K and other symbols have not been expanded. We assume that at the receiver side the fading samples are perfectly known; that is, perfect channel state information (CSI) is considered. By finding the locations of the expanded symbols, the receiver can recover the SI index. So, at the receiver side, in order to recover the side information it is tried to correctly discover the places of the expanded symbols. Before exhibiting the detection algorithm in the receiver side, it is necessary to explain some properties of BIN_QCG(a, b, c, m).

Property 1 - The Window Property

By dividing a BIN_QCG(a, b, c, m) sequence into m equal parts (windows), every part (window) has the length of $\gamma = \lfloor \log_2^{m-1} + 1 \rfloor$ bits each of which is seen exactly once. For more explanation, consider QCG(4,5,3,8) in Fig. 4 for $Y_0 = 1$. By dividing this

	BIN_QCG(4,5,3,8)
$Y_0=0$	000011110001100111010101
$Y_0=1$	001100111010101000011110
$Y_0=2$	010101000011110001100111
$Y_0=3$	011110001100111010101000
$Y_0=4$	100111010101000011110001
$Y_0=5$	101000011110001100111010
$Y_0=6$	110001100111010101000011
$Y_0=7$	111010101000011110001100

Fig. 4. Sequences of BIN_QCG(4,5,3,8) which is the binary form of the QCG(4,5,3,8) in Fig. 3. As it is obvious each corresponding binary amount has the number of $\gamma = \lfloor \log_2^{8-1} + 1 \rfloor = 3$ bits.

	List of L=8 phase vectors
$l=0$	1111KKKK111KK11KKK1K1K1K
$l=1$	11KK11KKK1K1K1K1111KKKK1
$l=2$	1K1K1K1111KKKK111KK11KKK
$l=3$	1KKKK111KK11KKK1K1K1K111
$l=4$	K11KKK1K1K1K1111KKKK111K
$l=5$	K1K1111KKKK111KK11KKK1K1
$l=6$	KK111KK11KKK1K1K1K1111KK
$l=7$	KKK1K1K1K1111KKKK111KK11

Fig. 5. List of L=8 phase vectors for an OFDM system with $N=24$ subcarriers after using the mapping (step3). Just absolute value of the elements have been shown because the phases of the elements are chosen randomly.

sequence into $m=8$ equal parts (windows), every part (window) has the length of $\gamma = \lfloor \log_2^{8-1} + 1 \rfloor = 3$ bits. For example, the contents of window #1 is 001, the content of the window #2 is 100, the content of the window #3 is 111, ..., and the content of the window #8 is 110. As it is seen from this example, content of each window is seen exactly once.

Property 2 - Indicator position Property

In a BIN_QCG sequence, a window of successive 1's (all-one window) happens exactly once. Hereafter, we denote the all-one window by "indicator window". In a BIN_QCG(a, b, c, m) sequence, if position of "indicator window" is distinguished, positions of other binaries will become specified. For example, in Fig. 4, if "indicator window" be located in window #2, it is clear that it belongs to $Y_0 = 4$. So positions of other binaries for this window will become specified. That is,

$$100 \underbrace{111}_{\substack{\text{window} \\ \#2}} 010101000011110001$$

Lemma 1- Z-locations

From property 2 it is concluded that in a BIN_QCG(a, b, c, m) sequence, if position of "indicator



"window" is distinguished, the locations of zeroes (Z-locations) will become specified. For example, in Fig.4 if "indicator window" be located in window #2, it is clear that it belongs to $Y_0 = 4$. Positions of zeros for this window have been specified by "x" :

$$- \times \times \underbrace{111}_{\text{window \#2}} \times - \times - \times - \times \times \times - \times - \times - \times - \times - \times - \times -$$

In the proposed scheme, SI detection by receiver is made of the following stages (see fig. 6):

I. According to property 1, one of the windows of length γ (among the m extracted windows in BIN_QCG (a,b,c,m)) is selected as the "indicator window".

II. According to the Lemma 1, the locations of zeroes (Z-locations), based on "indicator window" location, will become specified.

III. The energy of samples in the received frame and fading frame are calculated as (9)

$$Q_n = |q_n|^2 \quad n \in \{1,2,\dots,m*\gamma = N\} \quad (9)$$

$$H_n = (h_n)^2$$

where Q_n is energy of received frame samples and H_n is energy of fading samples.

IV. Divide the received frame of length $N = m*\gamma$ into m equal windows (w). Therefore, the number of m windows of length γ are extracted. That is, $w_i^{(\gamma)}$ $i \in \{1,2,\dots,m\}$. It is attempted to find the window to which the "indicator window" in stage I is attributed.

V. By supposing each of the windows ($w_j^{(\gamma)}$) as "indicator window" mentioned in stage I, we calculate the average energy of the symbols that exist in the Z-locations:

$$\eta_j = \frac{E[Q_z] - \sigma^2}{E[H_z]} \quad j \in \{1,2,\dots,m\} \quad (10)$$

$z = Z\text{-locations (based on } w_j^{(\gamma)} \text{ position)}$

Where E is Expected Value, Q_z is energy of the Z-locations in the received frame based on $w_j^{(\gamma)}$ position and H_z is the energy of the Z-locations in the fading frame based on $w_j^{(\gamma)}$ position.

Hence, the computation of (10) for each windows ($w_j^{(\gamma)}$) allows us to determine the one with the lowest average energy of Z-locations; that is, lowest η_j . As a result, the value of j as well as $w_j^{(\gamma)}$ position is determined and we can find the real location of the "indicator window". Also, According to the Property 2, locations of other binary numbers will become specified.

VI. By mapping the ones and zeros to $K > 1$ and 1, respectively, we can guess the phase vector. Such evaluations may cause erroneous detection of the index "V"; therefore, in this case the receiver cannot

discover the SI index correctly. However, the system designer must be aware that for a constant m and a larger amount of K , a larger increase of the energy can be achieved. This increase of energy causes the error performance to be decreased.

TABLE I. QCG PARAMETERS USED IN THE EXAMPLE

a	b	c	m	$\gamma = \lfloor \log_2^{m-1} + 1 \rfloor$	$N = m * \gamma$
4	5	3	8	3	24
14	15	5	16	4	64
30	31	7	32	5	160
62	63	9	64	6	384
126	127	11	128	7	896

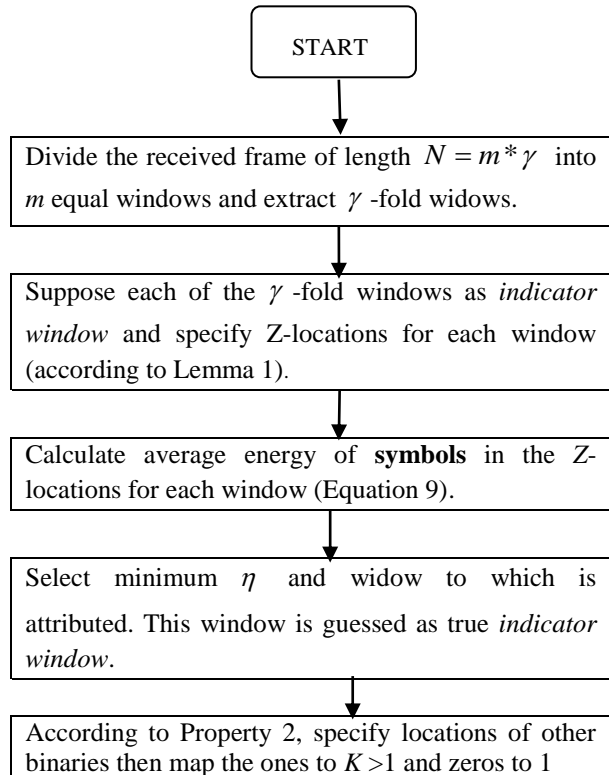


Fig. 6. Algorithm of SI detection in receiver.

V. EXAMPLE

In this section, to further explain the proposed scheme we assume an OFDM system with N subcarriers and 16-QAM modulation. Table I shows the QCG parameters used in the example for an OFDM system with $N=24,64,160,384$ and 896 subcarriers. The phases of $f_{l,n}$ with equal probabilities are set to either 0 or π . We suppose the flat Rayleigh fading channel for transmission and evaluate our scheme in terms of probability of SI detection failure (Pdf), PAPR reduction and bit error rate (BER).

A. Probability of SI detection failure (Pdf)

The probability of SI detection failure, Pdf, declares the probability that receiver cannot discover the side information correctly; that is, an entire received OFDM frame is lost. In Fig. 7, we have plotted the probability of SI detection failure Pdf vs. K for two values of the signal-to-noise ratio (SNR = 7 and 20dB) and the various numbers of OFDM subcarriers. From Fig. 7, it is clear that the SNR value



does not have a great affect on Pdf behavior. However, on the other hand, the values of N and K much influence Pdf performance. In higher value of constant K , more distinction between expanded and non-expanded symbols is formed. Therefore, higher value of K causes the happening of a wrong detection event less likely. Additionally, whenever N rises the number of zero locations in each frame are also increased. So, it provides further valid estimates of the average energies in (11). Therefore, in our scheme, the more increase in N , the better result can be got for any value of K .

B. BER performance evaluation

It is also significant to engage in evaluation of bit error rate (BER) performance caused by the application of proposed scheme. In Fig. 8, we show

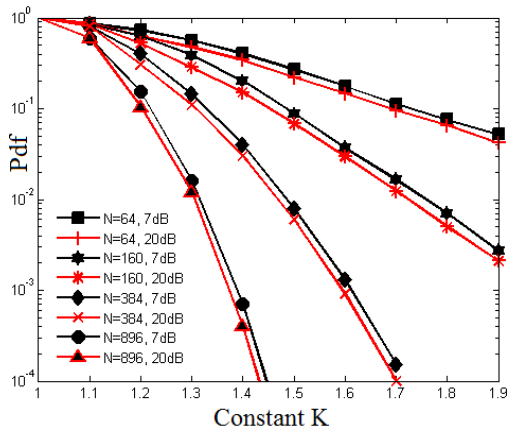


Fig. 7. Pdf performance of the proposed scheme, with respect to K , for SNR=7dB and 20dB and $N=64,160,384$ and 896 subcarriers according to Table I. For each subcarrier, we use 16-QAM modulation and flat Rayleigh fading channel for transmission.

BER vs. SNR values for our proposed scheme having supposed parameters in Table I with $N=384$ subcarriers and various values of constant K . Fig. 8 shows that the proposed technique can decrease the error performance. such reduction is as a result of energy rise of transmitted symbol. In other words, increasing the average energy of transmitted symbol has a great effect on BER performance. For comparison aim, the BER curve of an equivalent OFDM system employing conventional SLM with perfect side information, i.e. error-free SI, have also been shown in Fig. 8. The scenario of error-free SI is gained by employing the strong channel code absolutely devoted to the SI protection as a result of which, system complication and reduction of data rate will happen. As it is seen in Fig. 8, in $BER=10^{-2}$ for $K=1.5$ our proposed scheme lessens the error performance by only 0.5 dB in comparison with the conventional SLM with perfect SI. Additionally, increasing the K value make the gap of BER performance between our proposed scheme and error-free SI be decreased. When $K=1.5$ is used this gap is very slight.

C. Evaluation of PAPR reduction

In Fig. 9, the complementary cumulative distribution function (CCDF) of the PAPR has been shown. We have considered performance of PAPR

reduction, CCDF, with supposed parameters in Table I, $K = 1.4$ as well as $N=24,64,160$ and 384 subcarriers. For comparison aim, the PAPR curves obtained with the conventional SLM method and OFDM system without PAPR reduction have been plotted. These results have been achieved by application of oversampling=4 [23]. According to the results achieved in Fig. 9, the proposed method performance from the viewpoint of PAPR reduction is similar to that of the conventional SLM method.

VI. CONCLUSION

In this paper, we have proposed a new SLM scheme to reduce the PAPR without transmitting the explicit SI bits. In designing of our method, we have

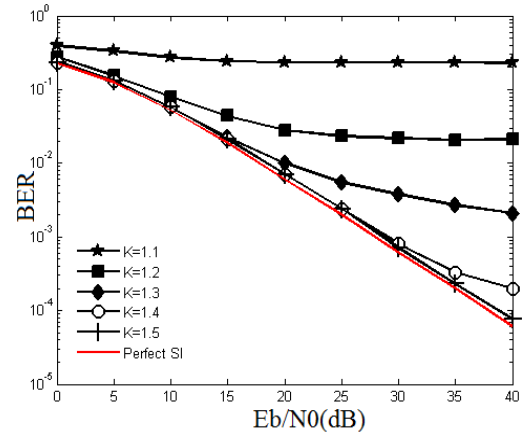


Fig. 8. BER performance of the proposed scheme for an OFDM system employing $N=384$ subcarriers according to Table I and different values of K . For each subcarrier, we use 16-QAM modulation and flat Rayleigh fading channel for transmission. For the purpose of comparison, the curve of conventional SLM with perfect SI, is also plotted.

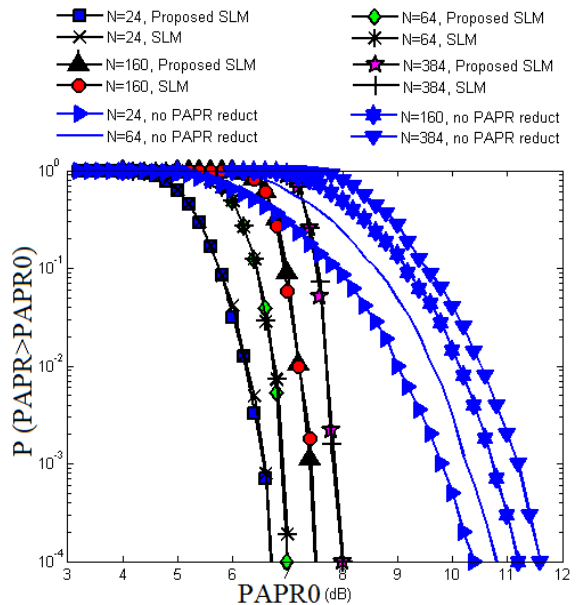


Fig. 9. CCDF of the PAPR of proposed scheme for different values of subcarriers according to Table I and $K=1.4$. We use 16-QAM modulation and oversampling factor equal to 4. For comparison aim, we plot for N values the curves obtained with the conventional SLM technique as well as those associated with an OFDM system without any PAPR reduction.



used QCG algorithm which enables the phase coefficient vector to be random. Our examinations performed via considering an OFDM system by using 16-QAM modulation. It has been shown that the proposed scheme is specially interesting for OFDM systems employing a huge number of subcarriers. In reality, when the number of subcarriers and/or the expansion factor increase, the probability of SI detection failure decreases. Because the expanded and non-expanded symbols become more distinguishable from each other. When this probability is adequately low, it has been shown that the gap of BER performance between our proposed scheme and conventional SLM employing error-free side information become inconsiderable. Additionally, the proposed method performance from the viewpoint of PAPR reduction is similar to the conventional SLM method.

REFERENCES

- [1] R. Van Nee, G. Awater, M. Morikura, H. Takanashi, M. Webster and K. W. Halford, "New High-Rate Wireless LAN Standards," *IEEE Communications Magazine*, Vol. 37, no. 12, pp. 82-88, December 1999.
- [2] P. H. Moose, D. Roderick, R. North, and M. Geile, "A COFDM-based radio for HDR LOS networked communications," in *Proc. IEEE ICC*, vol. 1, pp. 187-192, June 1999.
- [3] I. Koffman and V. Roman, "Broadband wireless access solutions based on OFDM access in IEEE 802.16," *IEEE Commun. Mag.*, pp. 96-103, Apr. 2002.
- [4] H. Yang, "A road to future broadband wireless access: MIMO-OFDMbased air interface," *IEEE Commun. Mag.*, pp. 53-60, Jan. 2005.
- [5] S. Weinstein and P. Ebert, "Data transmission by frequency-division multiplexing using the discrete Fourier transform," *IEEE Trans. Commun. Technol.*, vol. 19, no. 5, pp. 628-634, Oct. 1971.
- [6] R. van Nee and R. Prasad, *OFDM for Wireless Multimedia Communications*. Boston: Artech House, 2000.
- [7] Loutfi. Nuaymi, *WiMAX-Technology for Broadband Wireless Access*. West Sussex: John Wiley & Sons, 2008.
- [8] X. D. Li and L. J. Cimini Jr., "Effects of clipping and filtering on the performance of OFDM," *IEEE Comm. Lett.*, vol. 2, no. 5, pp. 131-133, May 1998.
- [9] N. Carson and T. A. Gulliver, "Peak-to-average power ratio reduction of OFDM using repeat-accumulate codes and selective mapping," in *Proc. IEEE Int. Symp. Inf. Theory*, pp. 244-244, Jun.-Jul. 2002.
- [10] S. Han and J. Lee, "An overview of peak-to-average power ratio reduction techniques for multicarrier transmission," *IEEE Trans. Wireless Commun.*, vol. 12, no. 2, pp. 56-65, Apr. 2005.
- [11] S. Weinstein and P. Ebert, "Data transmission by frequency-division multiplexing using the discrete Fourier transform," *IEEE Trans. Commun. Technol.*, vol. 19, no. 5, pp. 628-634, Oct. 1971.
- [12] H. Ochiai and H. Imai, "Performance analysis of deliberately clipped OFDM signals," *IEEE Trans. Commun.*, vol. 50, no. 1, pp. 89-101, Jan. 2002.
- [13] S. H. Muller and J. B. Huber, "OFDM with reduced peak-to-average power ratio by optimum combination of partial transmit sequences," *IEEE Electronics Letters*, vol. 33, no. 5, pp. 36-69, Feb. 1997.
- [14] B. S. Krongold and D. L. Jones, "PAR reduction in OFDM via active constellation extension," *IEEE Trans. Broadcasting*, vol. 49, no. 3, pp. 258-268, Sep. 2003.
- [15] Bauml. R.W, Fischer. R.F.H, Huber. J.B, "Reducing the peak-to-average power ratio of multicarrier modulation by selected mapping," *Electronic Letters*, vol. 32, pp.2056-2057, 1996.
- [16] M. Breiling, S. H. Muller-Weinfurter, and J. B. Huber "SLM peak-power reduction without explicit side information," *IEEE Commun. Lett.*, vol. 5, no. 6, pp. 239-241, June 2001.
- [17] P. H. Chang, S. S. Jeng and J. M. Chen, "Utilizing a novel root companding transform technique to reduce PAPR in OFDM systems," *International Journal of Communication Systems*, vol. 23, pp. 447-461, 2010.
- [18] A. D. S. Jayalath and C. Tellambura, "SLM and PTS peak-power reduction of OFDM signals without side information," *IEEE Trans. Wireless Commun.*, vol. 4, no. 5, pp. 2006-2013, 2005.
- [19] Jihan. Park, Eonpyo. Hong and Dong. Soo. Har, "Low Complexity Data Decoding for SLM-Based OFDM Systems without Side Information," *IEEE Comm. Lett.*, vol. 15, no. 6, pp. 611-613, 2011.
- [20] E. Hong, S. Min and D. Har, "SLM-based OFDM system without side information for data recovery," *IET JOURNALS & MAGAZINES*, vol. 46, no. 3, pp.271 - 272, 2010.
- [21] N. Chen and G. T. Zhou, "Peak-to-average power ratio reduction in OFDM with blind selected pilot tone modulation," *IEEE Trans. Wireless Commun.* vol. 5, no. 8, pp.2210-2216, 2006.
- [22] J. Eichenauer-Herrmann, "Quadratic congruential pseudorandom numbers: distribution of triples," *Journal of Computational and Applied Mathematics*, vol. 62, pp.239-253, 1995.
- [23] C. Tellambura, "Computation of the continuous-time PAR of an OFDM signal with BPSK subcarriers," *IEEE Commun. Lett.*, vol. 5, no. 5, pp.185-187, 2001.



Saber Meymanatabadi received the B.Sc. and M.Sc. degrees in Electrical Engineering in 2003 and 2007, respectively, and the Ph.D. degree in Wireless Communications from the University of Tabriz, Iran. His research interests are signal processing in communications and in particular multicarrier modulation (OFDM) for wireless communication systems.



Javad Musavi Niya received his B.Sc. degree from University of Tehran, his M.Sc. degree from Sharif University of Technology and his Ph.D. degree in Electrical Engineering from University of Tabriz. He is working as an academic member of the Faculty of Electrical and Computer Engineering, University of Tabriz. His research interests are wireless communication systems and signal processing.



IJICTR

This Page intentionally left blank.

